

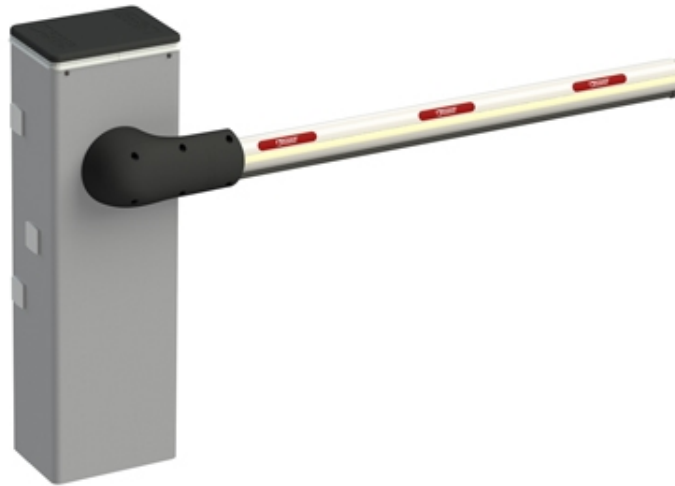
# PRODUCT TECHNICAL DATASHEET

# BI/006

Brushless 

Intensive use 

Digital Encoder 

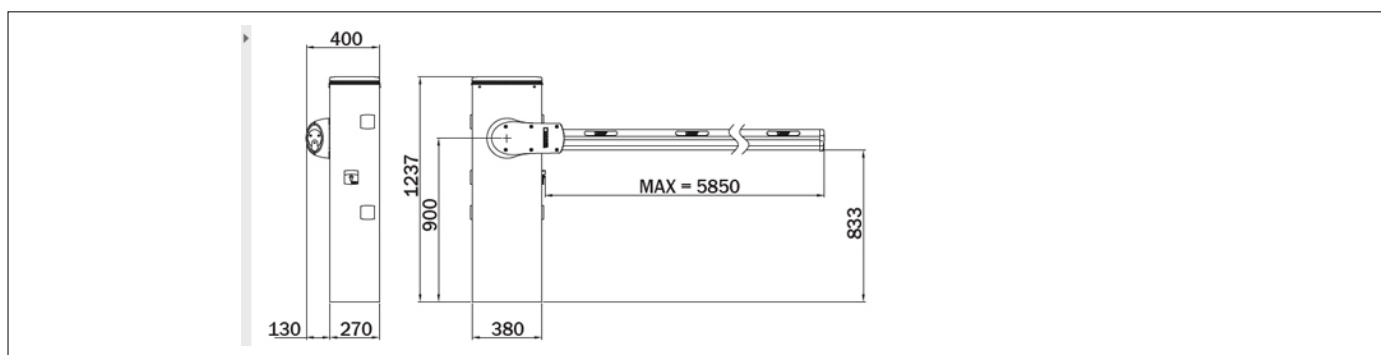


CODE	DESCRIPTION	PCS/PALLET
BI/006	Automatic Barrier BRUSHLESS 36V DC super intensive use up to 6 meters, with operator and and built in digital control panel and absolute encoder on board.	6

PRODUCT TECHNICAL SPECIFICATIONS	
Barriers	Up to 6 mt long
Power line supply	230V AC - 50Hz
Motor power supply	36V DC
Electrical absorption	max 15A
Power rating	220W
Frequency of use	Super intensive use
Torque	10 - 300 N m
Operating temperature	- 20 + 55 C°
Protection level	IP54
Reductor Type	Irreversible
Opening time at 90°	4 ÷ 8 (sec)
Onboard control unit	CTRL Digital Controller 36V DC
Encoder	Digital native encoder + magnetic digital SENSORED, 4096 PPR
Accessories power supply	24V DC
Release system	European Key cylinder
Batteries recovery	Available (optional)
BUS synchronization Master/Slave	Yes
Operating cycles per day (opening/closing - 24 hours no stop)	4000 cycles
Maximum dimension product in mm (L x W x H)	380 x 270 x 1237
Product weight packed (Kg)	74
Number items per pallet	6



# PRODUCT DIMENSIONS AND PREPARING FOR INSTALLATION



DIMENSIONS

## PRODUCT ACCESSORIES

<b>BAFS/01</b> Fixed support for bars.	<b>BAFS/02</b> Fixing support, adjustable.	<b>BAFS/03</b> Fixing support with bolt predisposition for bars.	<b>BAFS/04</b> Fixing support adjustable, with bolt predisposition for bars.	<b>BAFS/05</b> Adjustable fixed support with vandal-proof magnetic suction cup complete with B72/DGS demagnetizer card.	<b>BAMS/01</b> Mobile support for bars.
<b>BAMS/01/EXT</b> Extension 20cm for mobile support BAMS/01.	<b>BA/90/2</b> White painted aluminum rod, 2 meters long, with LED cover profile and impact resisting rubber profile.	<b>BA/90/3</b> White painted aluminum rod, 3 meters long, with LED cover profile and impact resisting rubber profile.	<b>BA/90/4</b> White painted aluminum rod, 4 meters long, with LED cover profile and impact resisting rubber profile.	<b>BA/90/6</b> White painted aluminum rod, 6 meters long, with LED cover profile and impact resisting rubber profile.	<b>JNT/BA/90</b> Internal boom bar joint in anodized aluminum including fixing screws for bars BA/90.
<b>BARK/02</b> Barrier skirting in aluminum, with stainless steel screws mounted on bronze bushings. Single module of length 2 meters.	<b>BI/BAT/KIT</b> Kit for emergency batteries charger for brushless digital controller CTRL 36V DC with plug-in card, with 2 recovery batteries 12V DC, 4.5 Ah. Kit for BIONIK barrier.	<b>BI/BCHP</b> Plug-in card, batteries charger, for brushless digital controller CTRL 36V DC, without recovery batteries, for BIONIK barrier.	<b>BT12V45</b> Battery 12V 4.5 Ah.	<b>B71/PBX36/BOX</b> Battery chargers with solar panels for powering Brushless digital controllers at 36V DC in network mode.	<b>B71/PBX36/BOX/115</b> Battery chargers with solar panels for powering Brushless digital controllers at 36V DC in network mode.
<b>B71/PBX/BOX</b> Battery chargers with solar panels for powering Brushless digital controllers in FULL SOLAR mode.	<b>KT230</b> Fixing plate with stay bolts and screws for BI/001PE - BI/001PC - BI/004HP - BI/006.	<b>KT230/IS</b> Fixing plate, inox AISI 304 version, with stay bolts and screws for BI/001PE - BI/001PC - BI/004HP - BI/006.	<b>KT231</b> Fixing plate for code BAFS/01, BAFS/02, BAFS/03, BAFS/04, BAFS/05.	<b>CRA/BAR</b> Post for photocells G90/F2ES - G90/FAES - for spaced installation on a barrier cabinet (+23cm).	<b>B73/EXP</b> Signal status board, 2 output for CTRL - CTRL/P.



**B74/BCONNECT**  
Module WI-FI B-CONNECT - Management and programming system in IP and CLOUD web mode, via P2P hot spot Wi-Fi connection for 36V Brushless digital controller (B70/2ML - EDGE1 - CTRL - CTRL/P - B70/1DCHP).



**SP/83/01**  
Spring diameter 83 mm for barriers.



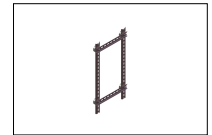
**SP/85/01**  
Spring diameter 85 mm for barriers.



**DLD1/24**  
Loop detector for 1 loop, 2 output, 24V AC/DC.



**DLD2/24**  
Loop detector for 2 loop, 2 output + output alarm, 24V AC/DC.



**KT239**  
Kit DIN rail with magnetic support.



**KT242**  
Cable passage kit with magnetic support for barriers.



**ALED/12C**  
Luminous led cord of 12 meters with connection cable for boom arms.



**R99/BASB20**  
Pack of 20 stickers for barrier.



**R99/BASB40**  
Pack of 40 stickers for barrier.